



Electrolux

Modular Cooking Range Line 700XP Gas Solid Top on Gas Oven

ITEM # _____

MODEL # _____

NAME # _____

SIS # _____

AIA # _____



Modular Cooking Range Line

700XP Gas Solid Top on Gas Oven

371008 (E7STGH10G0)

Gas solid top (7 kW) on gas oven (6 kW)

Short Form Specification

Item No. _____

High efficiency 7 kW central burner, flame failure device and protected pilot light. Suitable for natural gas or LPG. Large cooking surface with different heating zones. Large flat cooking surface made in cast iron allows for the use of a number of various sized pots and pans, all easily moved across the surface without lifting. Stainless steel oven chamber with 3 levels of runners to accommodate 2/1 GN shelves (2 steam pans). Exterior panels in stainless steel with Scotch Brite finish. One piece pressed work top in 1.5 mm thick stainless steel. Right-angled side edges to allow flush-fitting junction between units.

Main Features

- Gas heated, 7 kW central burner, solid top.
- Durable cast iron cooking plate, easy to clean.
- The center of the plate can reach a maximum temperature of 500 °C while decreasing outwards.
- Central burner with optimized combustion, flame failure device and protected pilot light.
- Temperature gradients to satisfy different cooking needs, provided over the whole plate thanks to the temperature fine-tuning by zone.
- Various sizes of pans can be used at the same time due to large surface area with no intermediate sectors.
- Pans can easily be moved from one area to another without lifting.
- Base compartment consists of a gas heated standard oven with stainless steel burners and self stabilizing flame positioned beneath the base plate. Stainless steel oven chamber to have 3 levels of runners to accommodate 2/1 GN shelves (2 steam pans) and ribbed enamelled steel base plate.
- Oven thermostat adjustable from 110 °C to 270 °C.
- All major compartments located in front of unit for ease of maintenance.
- IPX4 water resistance certification.

Construction

- All exterior panels in Stainless Steel with Scotch Brite finishing.
- One piece pressed 1.5 mm work top in Stainless steel.
- Model has right-angled side edges to allow flush fitting joints between units, eliminating gaps and possible dirt traps.

Included Accessories

- 1 of GN2/1 chrome grid for static oven PNC 164250

Optional Accessories

- GN2/1 chrome grid for static oven PNC 164250
- Draught diverter with 150mm diameter PNC 206132
- Matching ring for flue condenser PNC 206133
- 4 wheels, 2 swivelling with brake (700/900XP). It is mandatory to install with base supports for feet/wheels. PNC 206135
- Flanged feet kit PNC 206136

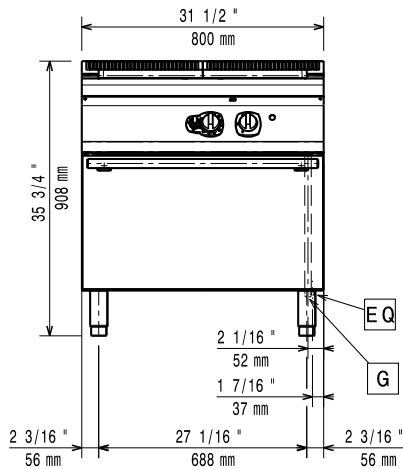
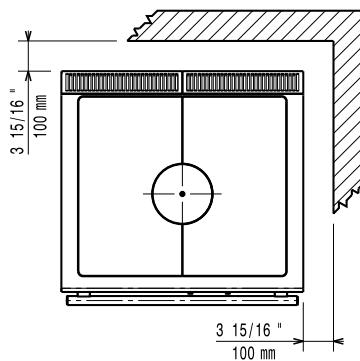
APPROVAL: _____



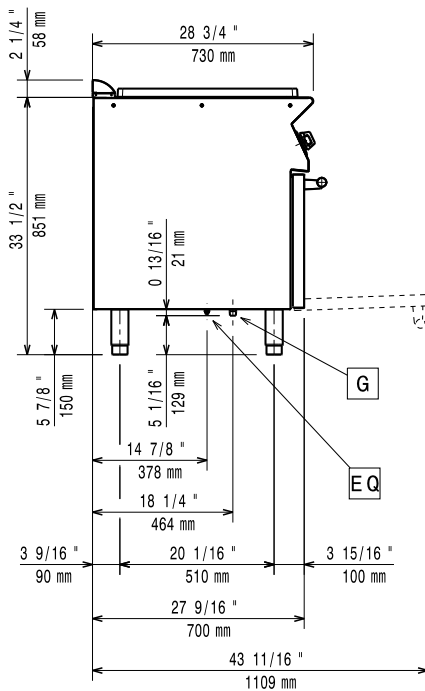
Electrolux

Modular Cooking Range Line
700XP Gas Solid Top on Gas Oven

- | | | | |
|--|--|--|--|
| • Frontal kicking strip for concrete installation, 200mm | PNC 206146
<input type="checkbox"/> | • Kit town gas nozzles (G150) for 700 solid top and burner | PNC 206388
<input type="checkbox"/> |
| • Frontal kicking strip for concrete installation, 400mm | PNC 206147
<input type="checkbox"/> | • Chimney grid net, 400mm | PNC 206400
<input type="checkbox"/> |
| • Frontal kicking strip for concrete installation, 800mm | PNC 206148
<input type="checkbox"/> | • 2 side covering panels, h=700mm, d=700mm | PNC 216000
<input type="checkbox"/> |
| • Frontal kicking strip for concrete installation, 1000mm | PNC 206150
<input type="checkbox"/> | • Frontal handrail 800mm | PNC 216047
<input type="checkbox"/> |
| • Frontal kicking strip for concrete installation, 1200mm | PNC 206151
<input type="checkbox"/> | • Frontal handrail 1200mm | PNC 216049
<input type="checkbox"/> |
| • Frontal kicking strip for concrete installation, 1600mm | PNC 206152
<input type="checkbox"/> | • Frontal handrail 1600mm | PNC 216050
<input type="checkbox"/> |
| • Frontal kicking strip, 200mm (not for refr-freezer base) | PNC 206174
<input type="checkbox"/> | • Large handrail - portioning shelf, 400mm | PNC 216185 <input type="checkbox"/> |
| • Frontal kicking strip, 400mm (not for refr-freezer base) | PNC 206175
<input type="checkbox"/> | • Large handrail - portioning shelf, 800mm | PNC 216186 <input type="checkbox"/> |
| • Frontal kicking strip, 800mm (not for refr-freezer base) | PNC 206176
<input type="checkbox"/> | • Pressure regulator for gas units | PNC 927225
<input type="checkbox"/> |
| • Frontal kicking strip, 1000mm (not for refr-freezer base) | PNC 206177
<input type="checkbox"/> | | |
| • Frontal kicking strip, 1200mm (not for refr-freezer base) | PNC 206178
<input type="checkbox"/> | | |
| • Frontal kicking strip, 1600mm (not for refr-freezer base) | PNC 206179
<input type="checkbox"/> | | |
| • 4 feet for concrete installation | PNC 206210
<input type="checkbox"/> | | |
| • Flue condenser for 1 module, 150 mm diameter | PNC 206246
<input type="checkbox"/> | | |
| • Pair of side kicking strips | PNC 206249
<input type="checkbox"/> | | |
| • Pair of side kicking strips for concrete installation | PNC 206265
<input type="checkbox"/> | | |
| • Water column with swivel arm (water column extension not included) | PNC 206289
<input type="checkbox"/> | | |
| • Water column extension for 700 line | PNC 206291
<input type="checkbox"/> | | |
| • Chimney upstand, 800mm | PNC 206304
<input type="checkbox"/> | | |
| • Right and left side handrails | PNC 206307
<input type="checkbox"/> | | |
| • Wok pan support for open burners (700/900) | PNC 206363
<input type="checkbox"/> | | |
| • Base support for feet or wheels - 400mm (700/900XP) | PNC 206366
<input type="checkbox"/> | | |
| • Base support for feet or wheels - 800mm (700/900) | PNC 206367
<input type="checkbox"/> | | |
| • Base support for feet or wheels - 1200mm (700/900) | PNC 206368
<input type="checkbox"/> | | |
| • Base support for feet or wheels - 1600mm (700/900) | PNC 206369
<input type="checkbox"/> | | |
| • Base support for feet or wheels - 2000mm (700/900) | PNC 206370
<input type="checkbox"/> | | |
| • Rear paneling - 800mm (700/900) | PNC 206374
<input type="checkbox"/> | | |
| • Rear paneling - 1000mm (700/900) | PNC 206375
<input type="checkbox"/> | | |
| • Rear paneling - 1200mm (700/900) | PNC 206376
<input type="checkbox"/> | | |

Front

Top


EQ = Equipotential screw
G = Gas connection

Side


Gas

Gas Power:	371008 (E7STGH10G0)	44317 Btu/hr (13 kW)
Standard gas delivery:		Natural Gas
Gas Type Option:		LPG
Gas Inlet:		1/2"

Key Information

Solid top usable surface (width):	690 mm
Solid top usable surface (depth):	590 mm
Oven working Temperature:	110 °C MIN; 270 °C MAX
Oven Cavity Dimensions (width):	540 mm
Oven Cavity Dimensions (height):	300 mm
Oven Cavity Dimensions (depth):	650 mm
Net weight:	95 kg
Shipping weight:	116 kg
Shipping height:	1140 mm
Shipping width:	820 mm
Shipping depth:	860 mm
Shipping volume:	0.8 m ³

If appliance is set up or next to or against temperature sensitive furniture or similar, a safety gap of approximately 150 mm should be maintained or some form of heat insulation fitted.